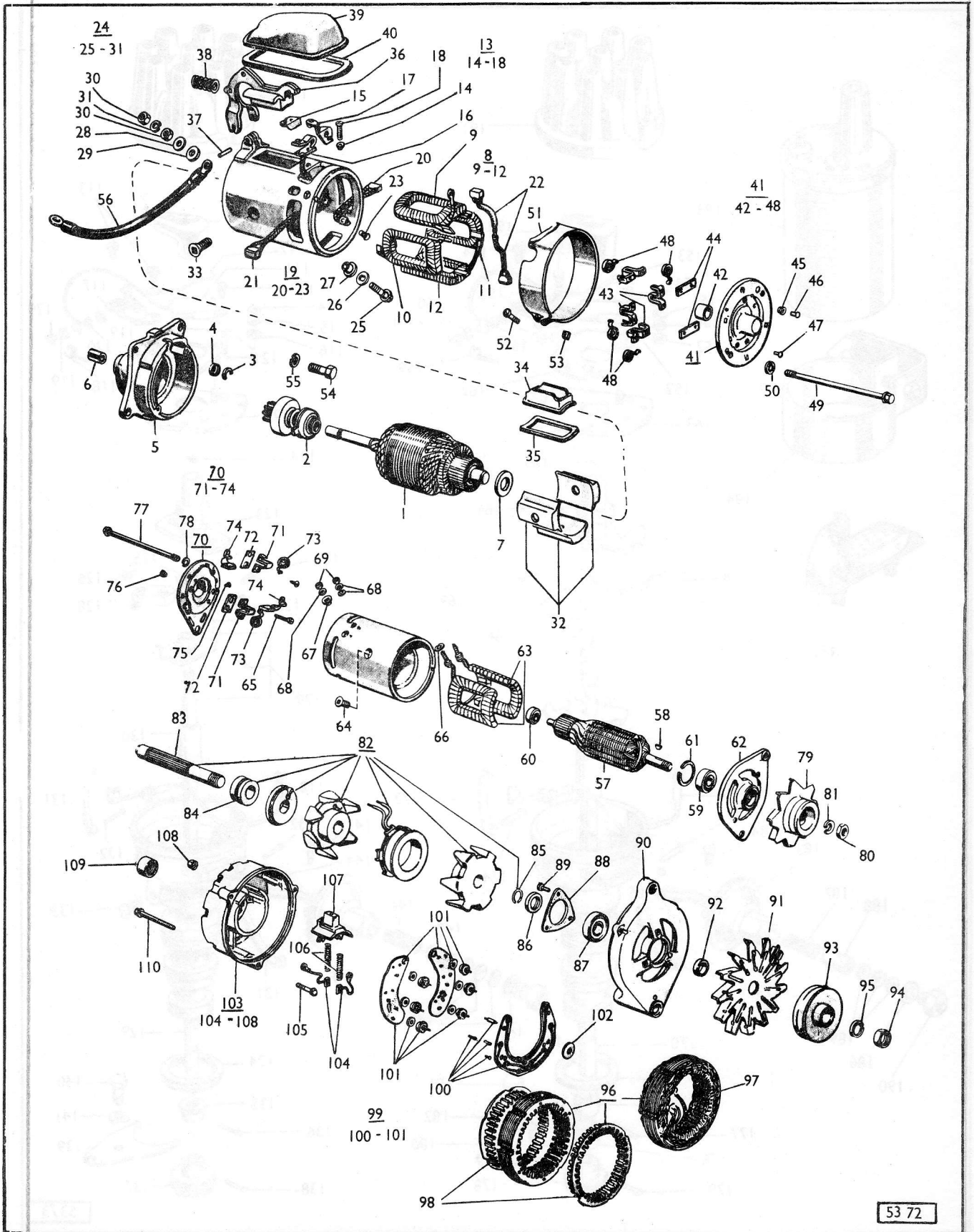


SECTION WF

ELECTRICAL EQUIPMENT

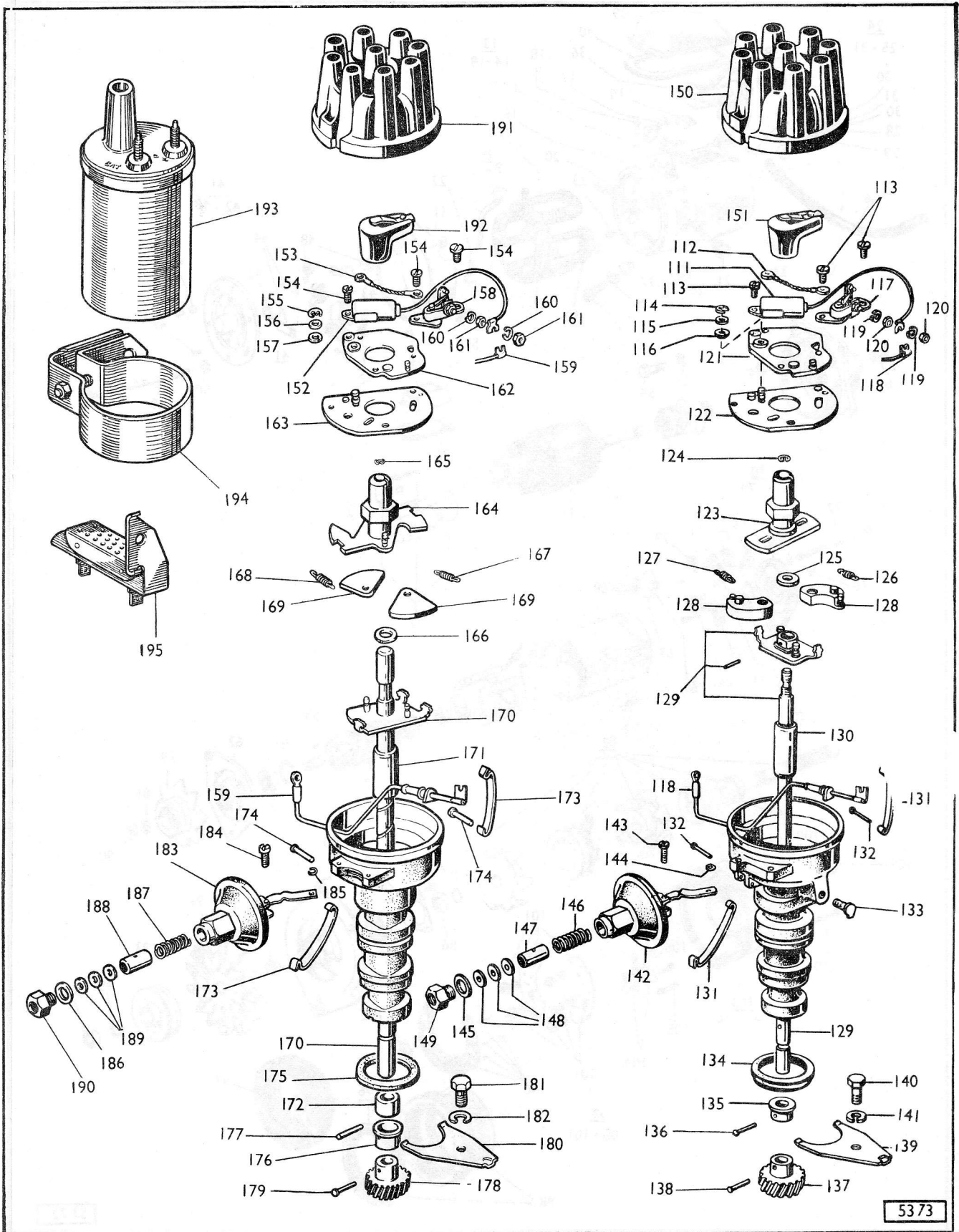
ELECTRICAL EQUIPMENT



53 72

PLATE A - SECTION WF

ELECTRICAL EQUIPMENT



5373

PLATE B - SECTION WF

ELECTRICAL EQUIPMENT

Plate Ref.	Rootes Part Number	DESCRIPTION	No. per Veh.	REMARKS
INSTRUMENTS				
	1224697	SPEEDOMETER (M.P.H.) SN5321/08	1	} Mk. I
	1224698	SPEEDOMETER (K.P.H.) SN5321/09	1	
	1236082	SPEEDOMETER (M.P.H.) SN5321/15	1	} Mk. II
	1236235	SPEEDOMETER (K.P.H.) SN5321/17	1	
	5042331	Trip return flex 41-118-101-08	1	
		Speedometer cable—See Gearbox (Transmission) Section		
	1224679	REVOLUTION COUNTER (Impulse) RV1/2012/00A	1	Mk. I
	1236127	REVOLUTION COUNTER (Impulse) RV1/2812/03	1	Mk. II
	1223840	Warning light body—Handbrake (Red)	1	Mk. I
	1205552	Temperature transmitter TT.4802/00	1	Mk. I
	1236095	Temperature transmitter TT.6812/00	1	Mk. II
	6100047	VOLTAGE REGULATOR	1	} Mk. I
	1224873	Mounting plate—Voltage regulator	1	
	39213081	Screw, No. 10 × ½" csk.—Cross recess } Voltage	6	
	9663121	Washer, ⅜" shakeproof } regulator	6	} Mk. I
	9067009	Washer, ⅜" plain } fixing	6	
	6100745	VOLTAGE REGULATOR	1	} Mk. II
	9772066	Tapping screw, No. 6 × ⅜"—Cross recess } Voltage regu-	1	
	9663113	Washer, ⅜" I.S. } lator fixing	1	
SWITCHES				
	1228982	PANEL LIGHT SWITCH 34943	1	
	1228981	LIGHTING SWITCH 31946	1	
	1228981	SCREEN WIPER SWITCH 31946	1	
		FLASHER SWITCH 34720A		} Mk. I } U.S.A. & Canada
		FLASHER SWITCH 35691A		
	6100035	STARTER RELAY	1	
	19504051	Bolt, ¼" UNF. × ⅝" hex. } Starter	2	
	5220722	Washer, ¼" spring } relay	2	
	9510040	Nut, ¼" UNF. } fixing	2	
PETROL (Fuel) PUMP				
		Petrol (Fuel) Pump (Electric)—See Section BF		

ELECTRICAL EQUIPMENT

Plate Ref.	Rootes Part Number	DESCRIPTION	No. per Veh.	REMARKS
STARTER MOTOR				
A1	6100364	STARTER MOTOR	1	
A2	6100902	Armature	1	
A3	6100917	Drive assembly	1	
A4	6100369	Retainer—Drive stop	1	
A5	6100375	Retainer—Drive ring	1	
A6	6100373	Housing—Rear (Driving end bracket)	1	
A7	6100374	Bearing (Bush)—Housing	1	
A8	6100384	Thrust washer—Armature shaft	1	
A9	6100389	Coil assembly—Complete	1	
A10		Coil—Actuating		} Not supplied
A11		Coil—R.H.		
A12		Coil—L.H.		
A13	6100976	Coil—Lower		
A14		Point Kit—Contact	1	
A15	6100392	Insulator	1	Not supplied
A16		Spring		} Not supplied
A17		Post		
A18		Screw		
A19	6100961	Brush set	1	
A20	6100387	Brush assembly—Ground (Earth)	1	
A21	6100388	Brush assembly—Service	1	
A22		Brush assembly—Insulator		} Not supplied
A23		Screw		
A24	6100393	Post assembly—Contact	1	
A25	6100977	Terminal Kit—Field	1	
A26	6100397	Terminal (Post)—Field	1	
A27		Washer		} Not supplied
A28		Insulator (Bush)		
A29	6100399	Washer	1	
A30	6100571	Washer	1	} Terminal (Post) —Field
A31	6100646	Nut, $\frac{5}{16}$ "	2	
A32		Washer, $\frac{5}{16}$ " lock	1	
A33		Pole shoes		} Not supplied
A34	6100395	Screw—Pole shoes	1	
A35		Sleeve } Coil		} Not supplied
A36		Flange } retainer		
A37		Plunger (Actuating lever)		
A38	6100383	Pin, $\frac{1}{4}$ " \times $\frac{3}{8}$ "—Plunger to yoke		
A39	6100370	Spring } Plunger	1	} Not supplied
A40	6100372	Cover }	1	
A41	6100377	Gasket—Plunger cover	1	
A42	6100472	Plate assembly—Brush end (C.E. Bracket)	1	
A43		Bearing (Bush)—Front plate (C.E. Bracket)	1	
A44		Brush holder		} Not supplied
A45		Insulator—Brush holder		
A46		Insulator—Rivet		
A47		Rivet—Insulator		
A48		Rivet—Ground (Earth)		
A49	6100382	Spring—Brush holder		
A50		Through bolt	2	
A51		Lockwasher, $\frac{1}{4}$ " I.S.—Through bolt		} Not supplied
A52	6100644	Band—Cover	1	
A53		Screw, No. 10-32 \times $1\frac{1}{2}$ " rd. hd. } Band		} Not supplied
A54		Nut, No. 10-32 hex.		
A55		Bolt ... } Starter to		} See Engine (Motor) Section
A56		Lockwasher } clutch housing		
		Cable—Starter solenoid to starter motor		See page WF7

ELECTRICAL EQUIPMENT

Plate Ref.	Rootes Part Number	DESCRIPTION	No. per Veh.	REMARKS
ALTERNATOR—continued				
A 99	6100956	RECTIFIER ASSEMBLY	1	} Not supplied
A100	6100915	Board kit	1	
A101	6100932	Plate and diode assembly	1	
		Insulator, $\frac{3}{32}$ " I/D \times $\frac{3}{8}$ " O/D \times $\frac{7}{32}$ " thick (Battery)...		
		Insulator, $\frac{7}{32}$ " I/D \times $\frac{11}{32}$ " O/D \times $\frac{1}{4}$ " thick (Stator) ...		
		Insulator, $\frac{7}{32}$ " I/D \times $\frac{11}{32}$ " O/D \times $\frac{1}{32}$ " thick (Between circuit board and diode plates		
A102	6100972	Washer, No. 10 flat	1	
A103	6100958	REAR HOUSING ASSEMBLY	1	
A104	6100924	Brush and terminal	2	
A105	6100970	Bolt, No. 10-32 \times $\frac{5}{8}$ " square hd.—Brush to housing ...	2	
A106	6100926	Spring—Brush	2	
A107		Holder—Brush		} Not supplied
	6100971	Bolt, No. 10-32 \times $\frac{3}{16}$ " square hd.	1	
A108	6100927	Nut and washer, No. 10-32 hex.	1	} Not supplied
		Insulator, $\frac{1}{4}$ " I/D \times $\frac{7}{8}$ " O/D \times $\frac{7}{32}$ " thick (Battery) ...		
		Insulator, $\frac{3}{32}$ " I/D \times $\frac{5}{8}$ " O/D \times $\frac{1}{4}$ " thick, Black (Stator)		
		Insulator, $\frac{3}{32}$ " I/D \times $\frac{5}{8}$ " O/D \times $\frac{1}{4}$ " thick, White ...		
		Insulator, approx. $\frac{1}{16}$ " \times $\frac{3}{4}$ " \times 1"		
A109	6100957	Bearing—Rear	1	} Mk. II
A110	6100921	Bolt (Through) No. 10-24 \times 2 $\frac{3}{8}$ " hex.—Washer hd. ...	3	
	1800746	FIELD ISOLATING RELAY—Type 6RA 33252	1	} Mk. II
	1236161	Resistor, 15 ohm 45175A	1	
	19503041	Screw, No. 10 UNF. \times $\frac{1}{2}$ " } Relay and resistor	1	
	9662122	Washer, $\frac{3}{16}$ " spring ... } to bracket	1	
IGNITION				
	6100406	DISTRIBUTOR—Centrifugal and Vacuum	1	} Mk. I
B111	6100431	Condenser	1	
B112	6100430	Cable—Distributor breaker	1	
B113	6100429	Screw—Breaker	3	
B114	6100312	"C" washer	1	
B115	6100651	Washer, $\frac{3}{16}$ " plain	1	
B116	6100650	Washer, spring	1	
B117	6100416	Arm and bracket—Point set	1	
B118	6100428	Primary assembly—Distributor terminal	1	
B119	6100652	Lockwasher } Primary assembly	2	
B120	6100649	Nut, No. 6 } to condenser	2	
B121	6100415	Plate—Breaker—Upper	1	
B122	6100414	Plate—Breaker—Lower	1	
B123	6100427	Cam	1	
B124	6100418	Retainer—Cam	1	
B125	6100419	Thrust washer—Distributor shaft upper	1	
B126		Spring—Distributor weight—Secondary		} Not supplied
B127	6100422	Spring—Distributor weight—Primary	1	
B128	6100420	Weight assembly	2	
B129	6100417	Shaft assembly	1	
B130	6100411	Bushing	1	
B131	6100413	Clamp—Cover	2	
B132		Rivet—Clamp		} Not supplied
B133		Cup—Oil		

ELECTRICAL EQUIPMENT

Plate Ref.	Rootes Part Number	DESCRIPTION	No. per Veh.	REMARKS
		IGNITION—continued		
		DISTRIBUTOR—continued		
B134	6100412	Seal—Distributor base	1	} Not supplied
B135		Collar—Distributor shaft		
B136		Pin—Collar		} Not supplied
B137	6100434	Gear—Distributor drive	1	
B138		Pin—Gear		} Not supplied
B139	6100409	Clamp—Distributor to block	1	
B140		Bolt } Clamp to		} Not supplied
B141	6100646	Washer } block	1	
B142	6100433	Diaphragm	1	} Not supplied
B143		Screw—Diaphragm lever		
B144		Washer—Diaphragm lever to upper plate		} Not supplied
B145		Gasket } Diaphragm		
B146	6100425	Spring } Diaphragm	1	} Not supplied
B147	6100424	Stop—Distributor vacuum advance	1	
B148		Washer—Packing		} Not supplied
B149	6100470	Connector	1	
B150	6100407	Top cover	1	} Not supplied
B151	6100408	Rotor	1	
		DISTRIBUTOR—Centrifugal and Vacuum	1	} Not supplied
B152	6100962	Condenser	1	
B153	6100975	Cable—Distributor breaker		} Not supplied
B154		Screw—Breaker		
B155	6100312	“C” washer	1	} Not supplied
B156	6100651	Washer, $\frac{3}{16}$ " plain	1	
B157	6100650	Washer, $\frac{3}{16}$ " spring	1	} Not supplied
B158	6100416	Arm and bracket—Point set	1	
B159	6100968	Wire assembly—Distributor terminal	2	} Not supplied
B160	6100652	Lockwasher } Primary assembly	2	
B161	6100649	Nut, No. 6 } to condenser	2	
B162	6100415	Plate—Breaker—Upper	1	} Not supplied
B163	6100414	Plate—Breaker—Lower	1	
B164	6100967	Cam	1	} Not supplied
B165	6100418	Retainer—Cam	1	
B166	6100419	Thrust washer—Distributor shaft upper	1	} Not supplied
B167		Spring—Distributor weight—Secondary		
B168		Spring—Distributor weight—Primary		} Not supplied
B169	6100965	Weight assembly	2	
B170	6100973	Shaft and cam assembly	1	} Not supplied
B171	6100411	Bushing—Upper	1	
B172		Bushing—Lower		} Not supplied
B173	6100964	Clamp—Cover	2	
B174		Rivet—Clamp		} Not supplied
B175	6100963	Seal—Distributor base	1	
B176		Collar—Distributor shaft		} Not supplied
B177		Pin—Collar		
B178	6100434	Gear—Distributor drive	1	} Not supplied
B179		Pin—Gear		
B180	6100409	Clamp—Distributor to block	1	} Not supplied
B181		Bolt } Clamp to... ..		
B182	6100646	Washer } block	1	

ELECTRICAL EQUIPMENT

Plate Ref.	Rootes Part Number	DESCRIPTION	No. per Veh.	REMARKS
		IGNITION—continued		
		DISTRIBUTOR—continued		
B183	6100969	Diaphragm	1	} Not supplied } Mk. II
B184		Screw—Diaphragm lever		
B185		Washer—Diaphragm lever to upper plate		
B186		Gasket } Diaphragm		
B187		Spring }		
B188	6100966	Stop—Distributor vacuum advance	1	
B189		Washer—Packing		
B190	6100470	Connector	1	
B191	6100407	Top cover	1	
B192	6100408	Rotor	1	
	1236014	Shroud, O/S (R.H.)	1	} France only
	1236015	Shroud, N/S (L.H.)	1	
	1236013	Clip—Shroud	1	
	19505091	Screw, $\frac{5}{16}$ " UNF. \times $1\frac{1}{2}$ " hex. hd. } Shroud	1	
	5220701	Nut, $\frac{5}{16}$ " UNF. } clip	1	
	9780004	Clip	1	
		IGNITION COIL	1	
B193	6100401	Strap	1	} Mk. I
B194	6100402	Resistor } Ignition coil	1	
B195	6100030	Suppressor }	1	
	6100404	Cable—Coil to resistor	1	
	6100027	SPARKING PLUG	1	
	6100405	SPARKING PLUG	1	
	6100757	High tension cable set } Spark	1	
	6100403	High tension cable set } plug	1	
	1236027	High tension cable—Coil to distributor ... 54949479	1	
	1236028	High tension cable 54949480	4	
	1236029	High tension cable 54949481	1	} France only
	1236030	High tension cable 54949482	1	
	1236031	High tension cable 54949483	1	
	1236032	High tension cable 54949484	1	
		BATTERY—67 amp./hr. Type BVZ11A ... 54028420		
		BATTERY—67 amp./hr. Type SZ11/9/89 ... 54027350		} Not supplied
		BATTERY—67 amp./hr. Type S11/9/89 ... 54027349		
	1224844	Battery manifold breather tube c/w 6 plugs ... 54285582	1	} Mk. I
	9234211	Tube } Battery	1	
	9116140	Grommet } breather	1	
		Battery tray—See Body Fittings Section		
		FUSE UNIT		
	1229967	FUSE UNIT 54038033	1	} Superseded by 1046954 } Mk. I
	1046954	FUSE UNIT 54038033	1	
	1800082	FUSE UNIT 54038032	1	} Mk. I & II L.H.D.
	39413101	Screw, No. 10 \times $\frac{5}{8}$ "	1	
	9772086	Tapping screw, No. 6 \times $\frac{1}{2}$ " } Fuse unit	1	
	9663121	Washer, $\frac{3}{16}$ " shakeproof } fixing	1	
	5220700	Nut, No. 10 UNF.	1	

ELECTRICAL EQUIPMENT

Plate Ref.	Rootes Part Number	DESCRIPTION	No. per Veh.	REMARKS
HORNS				
	1224772	HORN—Low note	1	
	1224773	HORN—High note	1	
	1239238	HORN—Low note	1	Mk. II France only
CABLES, GROMMETS AND CLIPS				
	1229824	CHASSIS HARNESS—R.H.D. 54936353	1	} Mk. I
	1224863	CHASSIS HARNESS 54935944	1	
	1236145	CHASSIS HARNESS } L.H.D. 54939826	1	Mk. II
	1224695	BODY HARNESS 54935830	1	Mk. I
	1236139	BODY HARNESS	1	Mk. II
	1224865	Cable—Starter solenoid to starter 54935946	1	
	1224864	Cable } Battery positive to 54935945	1	Mk. I
	2236712	Cable } starter solenoid	1	Mk. II
	1224866	Cable—Battery negative to earth 54935947	1	
	1224867	Cable—Engine (Motor) earth 54935948	1	
	9118533	Grommet—Speedometer cable	1	
	9118535	Grommet—Battery cable	2	
	9179042	Clip—Chassis harness—R.H.D.	1	Mk. I
	9179015	Clip—Harness to wheelarch	1	
	9179044	Clip } Harness to	1	Mk. I
	9179055	Clip } instrument panel	1	Mk. II